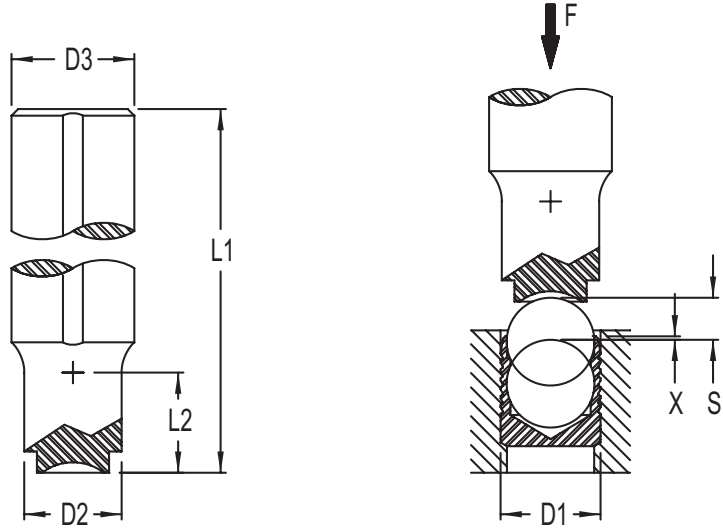




EIS
ENGINEERED
 INSERTS & SYSTEMS, INC.

Setting Tools – EIS Series

Tools: Tool Steel
 Heat Treated



EIS-11, EIS-31 and EIS-33 (Dimensions in mm unless otherwise specified)						
D1	D3(in.)	L1	D2	L2	x +/- .2	Type
3.0	.375	100	2.8	10	0.4	HT EIS 030
4.0	.375	100	3.8	10	0.2	HT EIS 040
5.0	.375	100	4.7	12	0.4	HT EIS 050
6.0	.375	100	5.8	15	0.4	HT EIS 060
7.0	.375	100	6.8	18	0.4	HT EIS 070
8.0	.375	100	7.8	20	0.3	HT EIS 080
9.0	.625	100	8.7	22	0.4	HT EIS 090
10.0	.625	100	9.8	25	0.4	HT EIS 100
12.0	.625	150	11.7	30	0.4	HT EIS 120
14.0	.750	150	13.7	35	0.4	HT EIS 140
16.0	.750	150	15.7	40	0.6	HT EIS 160
18.0	.750	150	17.7	45	0.6	HT EIS 180
20.0	1.00	150	19.7	50	0.8	HT EIS 200
22.0	1.00	150	21.7	55	0.8	HT EIS 220

Engineered Inserts & Systems, Inc.

Certified ISO/TS 16949-2002

RoHS Compliant

Phone: 203-301-3334

Fax: 203-301-3335

Web: eisinserts.com