



EIS
ENGINEERED
 INSERTS & SYSTEMS, INC.

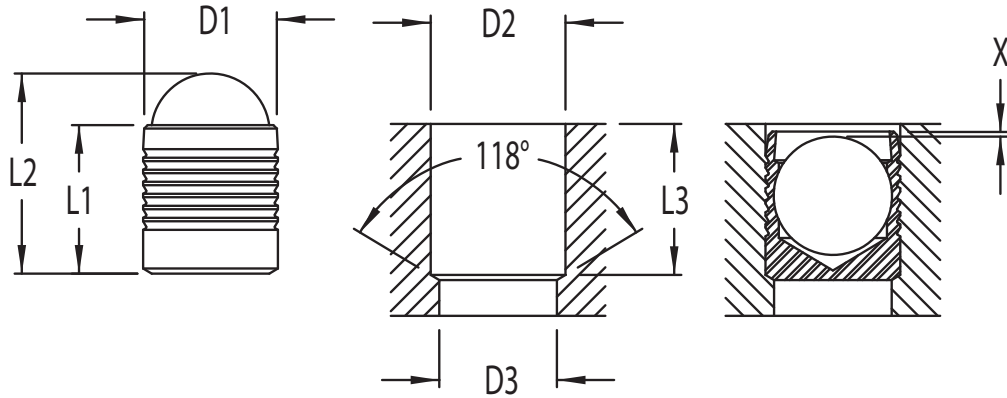
EIS-11 Inch Series Sealing Plugs

"1" Plug

Case Hardening Steel
 Commercial zinc

"1" Ball

Bearing Steel
 Heat Treated



(Dimensions in inches unless otherwise specified)

| D1 | L1 | L2 | D2 + 0.004 - 0 | D3 max. | L3 min. | X + 0 - 0.010 | Type |
|-------|------|-----|----------------------|---------|---------|---------------------|------------|
| .1562 | .157 | .21 | .1562 | .130 | .150 | 0.010 | EIS-11-156 |
| .1875 | .216 | .28 | .1875 | .160 | .209 | 0.010 | EIS-11-187 |
| .2187 | .220 | .28 | .2187 | .190 | .208 | 0.010 | EIS-11-218 |
| .2500 | .256 | .34 | .2500 | .220 | .248 | 0.010 | EIS-11-250 |
| .2812 | .295 | .40 | .2812 | .250 | .287 | 0.010 | EIS-11-281 |
| .3125 | .334 | .46 | .3125 | .281 | .327 | 0.010 | EIS-11-312 |
| .3437 | .394 | .53 | .3437 | .312 | .385 | 0.010 | EIS-11-343 |
| .3750 | .433 | .60 | .3750 | .343 | .425 | 0.010 | EIS-11-375 |
| .4062 | .437 | .59 | .4062 | .375 | .425 | 0.010 | EIS-11-406 |
| .4375 | .515 | .68 | .4375 | .406 | .503 | 0.010 | EIS-11-437 |
| .4687 | .512 | .71 | .4687 | .437 | .504 | 0.010 | EIS-11-468 |

Engineered Inserts & Systems, Inc.

Certified ISO/TS 16949-2009

RoHS Compliant

Phone: 203-301-3334

Fax: 203-301-3335

Web: eisinserts.com