



EIS
ENGINEERED
 INSERTS & SYSTEMS, INC.

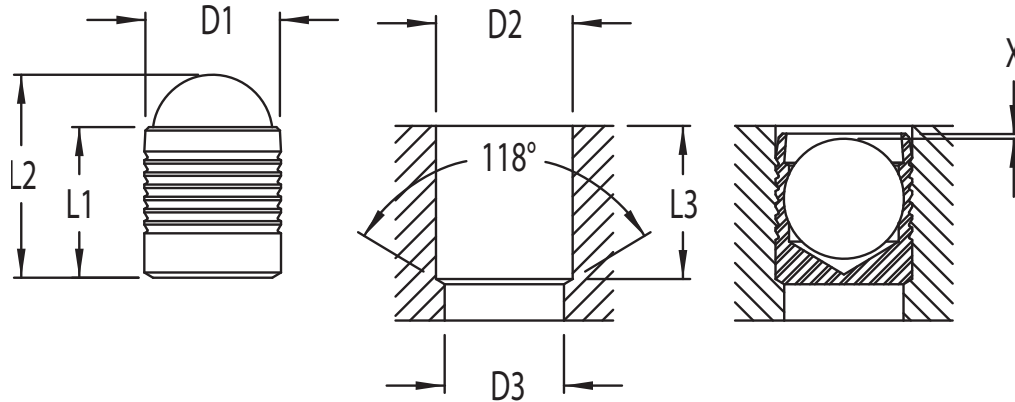
EIS-33 Metric Series Sealing Plugs

“3” Plug


Stainless Steel
 AISI 303

“3” Ball

Stainless Steel
 AISI 303



(Dimensions in mm unless otherwise specified)

D1	L1	L2 -	D2 +0.1 0	D3 max.	L3 min.	X +/- .2	EIS P/N	
3.0	3.6	4.6	3.0	2.2	3.4	0.4	EIS-33-030	1000
4.0	4.0	5.2	4.0	3.3	3.8	0.2	EIS-33-040	1000 / 5000
5.0	5.5	7.1	5.0	4.3	5.3	0.4	EIS-33-050	1000 / 2500
6.0	6.5	8.7	6.0	5.3	6.3	0.4	EIS-33-060	500 / 2000
7.0	7.5	10.2	7.0	6.4	7.3	0.4	EIS-33-070	1000
8.0	8.5	11.6	8.0	7.4	8.3	0.3	EIS-33-080	500
9.0	10.0	13.6	9.0	8.4	9.8	0.4	EIS-33-090	500
10.0	11.0	15.2	10.0	9.4	10.8	0.4	EIS-33-100	500
12.0	13.0	17.9	12.0	10.6	12.8	0.4	EIS-33-120	250
14.0	15.0	20.6	14.0	12.7	14.5	0.4	EIS-33-140	250
16.0	17.0	23.4	16.0	14.7	16.5	0.6	EIS-33-160	100
18.0	19.0	26.4	18.0	16.7	18.5	0.6	EIS-33-180	100
20.0	22.0	30.1	20.0	18.7	21.5	0.8	EIS-33-200	100
22.0	25.0	34.0	22.0	20.7	24.5	0.8	EIS-33-220	50

Engineered Inserts & Systems, Inc.

Certified ISO/TS 16949-2002

RoHS Compliant

Phone: 203-301-3334

Fax: 203-301-3335

Web: eisinserts.com