



EIS
ENGINEERED
 INSERTS & SYSTEMS, INC.

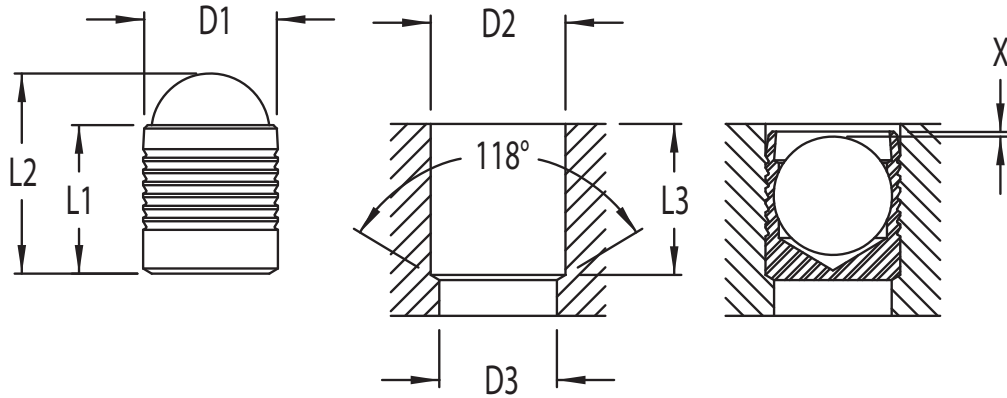
EIS-33 Inch Series Sealing Plugs

“3” Plug

300 Series
 Stainless Steel

“3” Ball

300 Series
 Stainless Steel



(Dimensions in inches unless otherwise specified)

D1	L1	L2	D2 + 0.004 - 0	D3 max.	L3 min.	X + 0 - 0.010	Type
.1562	.157	.21	.1562	.130	.150	0.010	EIS-33-156
.1875	.216	.28	.1875	.160	.209	0.010	EIS-33-187
.2187	.220	.28	.2187	.190	.208	0.010	EIS-33-218
.2500	.256	.34	.2500	.220	.248	0.010	EIS-33-250
.2812	.295	.40	.2812	.250	.287	0.010	EIS-33-281
.3125	.334	.46	.3125	.281	.327	0.010	EIS-33-312
.3437	.394	.53	.3437	.312	.385	0.010	EIS-33-343
.3750	.433	.60	.3750	.343	.425	0.010	EIS-33-375
.4062	.437	.59	.4062	.375	.425	0.010	EIS-33-406
.4375	.515	.68	.4375	.406	.503	0.010	EIS-33-437
.4687	.512	.71	.4687	.437	.504	0.010	EIS-33-468

Engineered Inserts & Systems, Inc.

Certified ISO/TS 16949-2002

RoHS Compliant

Phone: 203-301-3334

Fax: 203-301-3335

Web: eisinserts.com