



EIS
ENGINEERED
 INSERTS & SYSTEMS, INC.

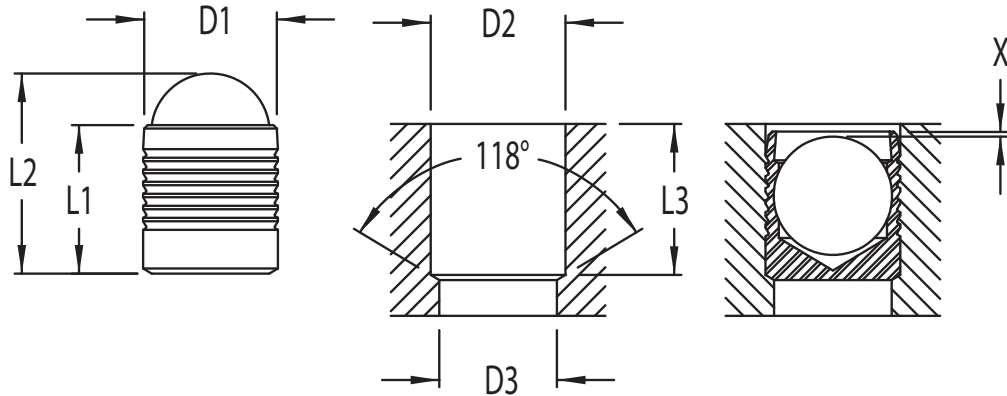
EIS-53 Metric Series Sealing Plugs

“5” Plug

2024-T4 Aluminum

“3” Ball

300 Series Stainless Steel



(Dimensions in inches unless otherwise specified)

D1	L1	L2	D2 +0.1 -0	D3max.	L3min.	X +/- .2	EISP/N Plain	EISP/N Anodized Green	EISP/N Allodined Chromate
3.0	3.6	4.6	3.0	2.2	3.4	0.4	EIS-5P3-030	EIS-5N3-030	EIS-5L3-030
4.0	4.0	5.2	4.0	3.3	3.8	0.2	EIS-5P3-040	EIS-5N3-040	EIS-5L3-040
5.0	5.5	7.1	5.0	4.3	5.3	0.4	EIS-5P3-050	EIS-5N3-050	EIS-5L3-050
6.0	6.5	8.7	6.0	5.3	6.3	0.4	EIS-5P3-060	EIS-5N3-060	EIS-5L3-060
7.0	7.5	10.2	7.0	6.4	7.3	0.4	EIS-5P3-070	EIS-5N3-070	EIS-5L3-070
8.0	8.5	11.6	8.0	7.4	8.3	0.3	EIS-5P3-080	EIS-5N3-080	EIS-5L3-080
9.0	10.0	13.6	9.0	8.4	9.8	0.4	EIS-5P3-090	EIS-5N3-090	EIS-5L3-090
10.0	11.0	15.2	10.0	9.4	10.8	0.4	EIS-5P3-100	EIS-5N3-100	EIS-5L3-100
12.0	13.0	17.9	12.0	10.6	12.8	0.4	EIS-5P3-120	EIS-5N3-120	EIS-5L3-120
14.0	15.0	20.6	14.0	12.7	14.5	0.4	EIS-5P3-140	EIS-5N3-140	EIS-5L3-140
16.0	17.0	23.4	16.0	14.7	16.5	0.6	EIS-5P3-160	EIS-5N3-160	EIS-5L3-160
18.0	19.0	26.4	18.0	16.7	18.5	0.6	EIS-5P3-180	EIS-5N3-180	EIS-5L3-180
20.0	22.0	30.1	20.0	18.7	21.5	0.8	EIS-5P3-200	EIS-5N3-200	EIS-5L3-200
22.0	25.0	34.0	22.0	20.7	24.5	0.8	EIS-5P3-220	EIS-5N3-220	EIS-5L3-220

Engineered Inserts & Systems, Inc.

Certified ISO/TS 16949-2009 RoHS Compliant

Phone: 203-301-3334 Fax: 203-301-3335 Web: eisinserts.com