

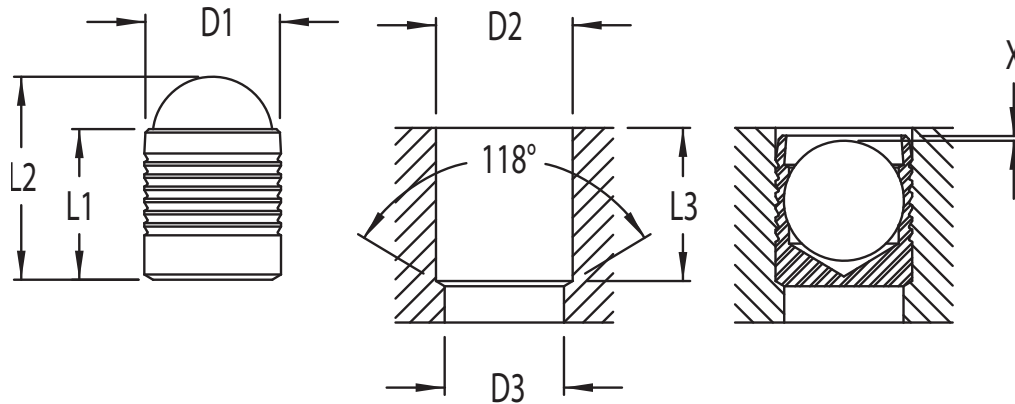


EIS
ENGINEERED
 INSERTS & SYSTEMS, INC.


EIS7 Series Sealing Plugs

Sleeve: Stainless Steel
 DIN 1.4305, AISI 303

Ball: Bearing Steel
 Heat Treated



(Dimensions in mm unless otherwise specified)

D1	L1	L2 -	D2 +0.1 0	D3 max.	L3 min.	X +/- .2	Type	
3.0	3.6	4.6	3.0	2.2	3.4	0.4	EIS7-030	1000
4.0	4.0	5.2	4.0	3.3	3.8	0.2	EIS7-040	1000 / 5000
5.0	5.5	7.0	5.0	4.3	5.3	0.4	EIS7-050	1000
6.0	6.5	8.6	6.0	5.3	6.3	0.4	EIS7-060	1000 / 2000
7.0	7.5	10.1	7.0	6.4	7.3	0.4	EIS7-070	1000
8.0	8.5	11.7	8.0	7.4	8.3	0.3	EIS7-080	500
9.0	10.0	13.7	9.0	8.4	9.8	0.4	EIS7-090	500
10.0	11.0	15.2	10.0	9.4	10.8	0.4	EIS7-100	500
12.0	13.0	18.0	12.0	10.6	12.8	0.4	EIS7-120	250
14.0	15.0	20.8	14.0	12.7	14.5	0.4	EIS7-140	250
16.0	17.0	23.7	16.0	14.7	16.5	0.6	EIS7-160	100
18.0	19.0	26.3	18.0	16.7	18.5	0.6	EIS7-180	100
20.0	22.0	30.5	20.0	18.7	21.5	0.8	EIS7-200	100
22.0	25.0	34.2	22.0	20.7	24.5	0.8	EIS7-220	50

Engineered Inserts & Systems, Inc.

Certified ISO/TS 16949-2002

RoHS Compliant

Phone: 203-301-3334

Fax: 203-301-3335

Web: eisinserts.com